

DO NOT SCALE DRAWING
DIMENSION IN METRIC

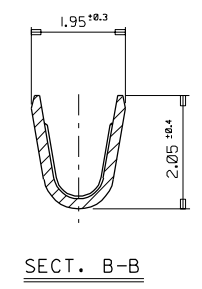
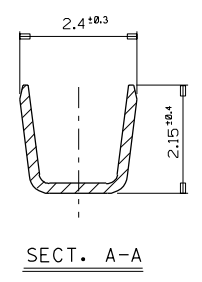
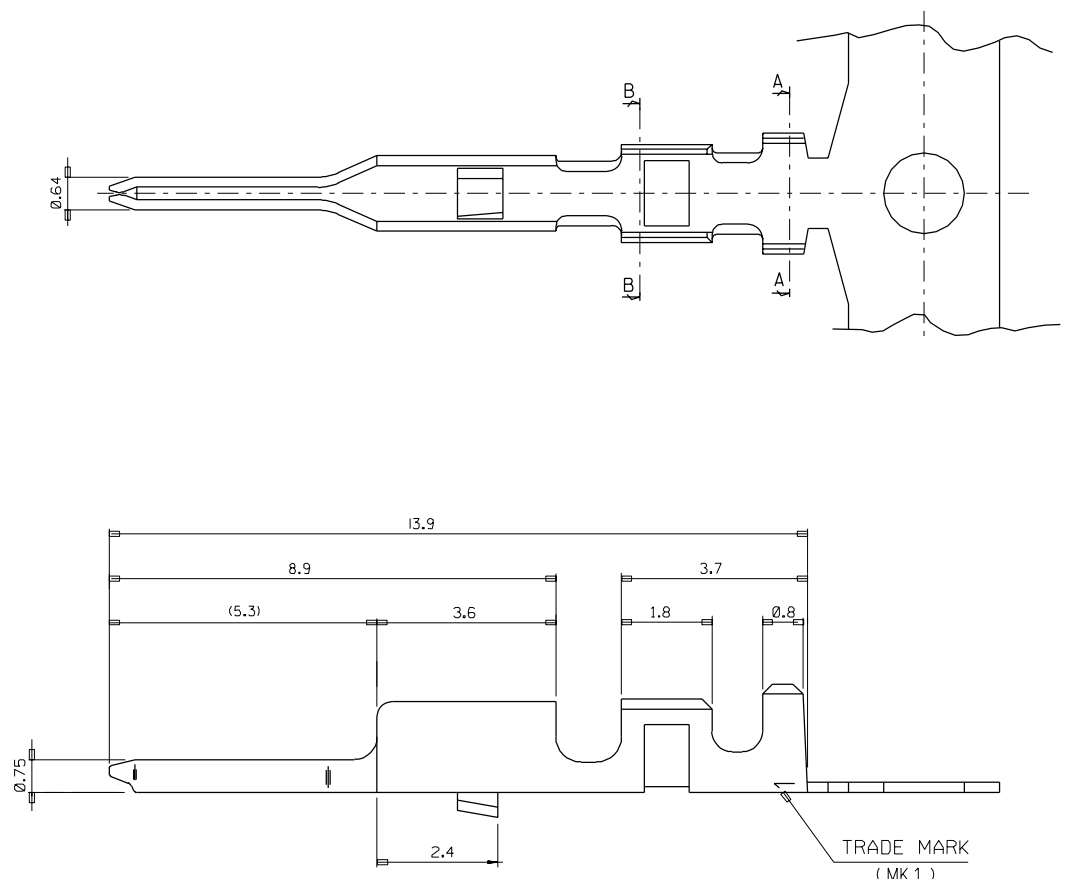
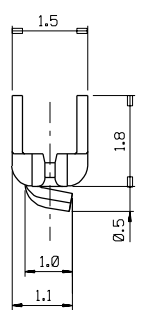
B

C

PROJECT NO.

SIMILAR ITEM

DWG. NO.
SD-35053-9002



NOTES

- MATED WITH FEMALE TERMINAL : 5103*
- USED WITH HOUSING : 35184-**00
- USED WIRE : AWG #22-#28
(STRIP LENGTH:2.3-2.9mm)
- BRASS(TIN PLATED)

REVISED EC NO. KOR1999-0121 DRWN: K.S.KIM(991027) CHK: J.K.OH APPR: C.W.LEE	QUALITY SYMBOLS MAJOR = CRITICAL =	GENERAL TOLERANCES: (UNLESS SPECIFIED)		SCALE 10/1	DESIGN UNITS <input checked="" type="checkbox"/> mm <input type="checkbox"/> INCH	THIRD ANGLE PROJECTION <input checked="" type="checkbox"/> mm <input type="checkbox"/> INCH	DIMENSIONS: <input type="checkbox"/> mm <input type="checkbox"/> INCH <input checked="" type="checkbox"/> mm ONLY	SHT REVISE ON CAD ONLY	REV
		4 PLACES ±0. ±.	DRAWN BY & DATE D.J.KIM 94/2/28	TITLE: 2.5 PITCH W/W CONN. TERMINAL					
		3 PLACES ±0. ±.	CHECKED BY & DATE J.K.OH						
		2 PLACES ±0. ±.	APPROVED BY & DATE C.W.LEE	CAD FILENAME SD35053.DGN		MATERIAL NO. 350539002	DRAWING NO. SD-35053-9002	SHEET NO. 1 OF 1	
1 PLACE ±0.3 ±.	ANGULAR: ± 2 °	DRAFT WHERE APPLICABLE MUST REMAIN WITHIN DIMENSIONS				THIS DRAWING CONTAINS INFORMATION THAT IS PROPRIETARY TO MOLEX INCORPORATED AND SHOULD NOT BE USED WITHOUT WRITTEN PERMISSION.	SIZE B		

SD35053-9002.DGN