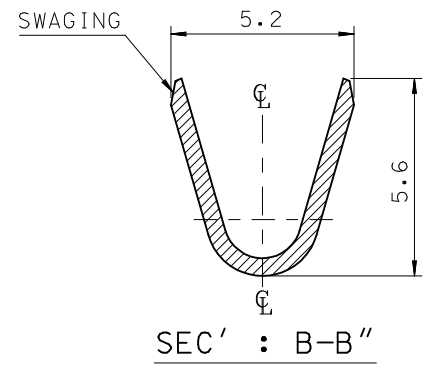
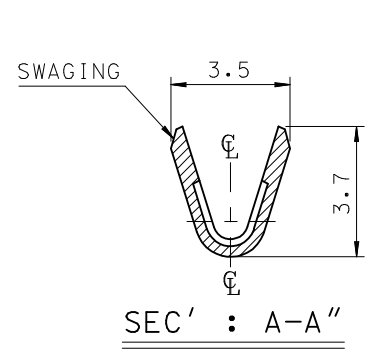
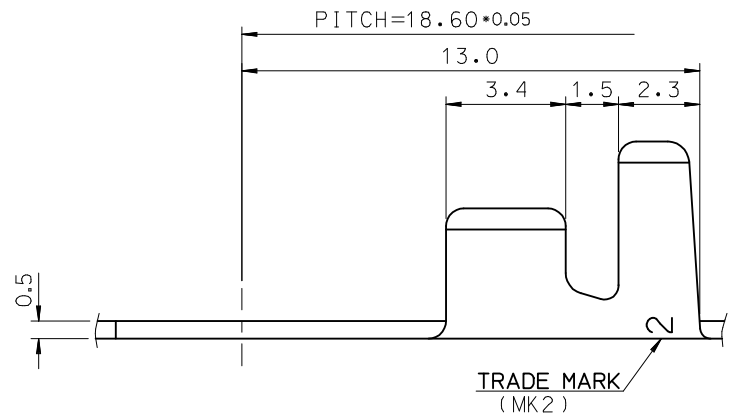


- NOTES
1. MATERIAL : BRASS , 0.5mm THICKNESS
 2. FINISH : 35750-1000 (UNPLATED)
35750-1010 (PRE-PLATED TIN)
(1.0 MICROMETER MIN. TIN OVER 0.3MICROMETER MIN. COPPER)
35723-0804 (POST TIN PLATED, 1.0 MIROMETER MIN.)
 3. RECOMMENDED LENGTH OF WIRE STRIP IS 4.8-5.4mm.
 4. APPLICABLE WIRE : AWG #18-#14 (0.75-2.08mm²)
INSULATION DIA. : Ø3.2mm MAX.



REVISED EC NO: KOR2013-0049 DRWN: JSSHIN 2012/12/03 CHKD: SHCHU 2012/12/03 APPR: YSKIM02 2012/12/13	QUALITY SYMBOLS ▽=0 ◻=0	GENERAL TOLERANCES (UNLESS SPECIFIED)		DIMENSION STYLE MM ONLY		SCALE 4:1	DESIGN UNITS METRIC	THIRD ANGLE PROJECTION	
		4 PLACES ± --- ± ---	3 PLACES ± --- ± ---	2 PLACES ± 0.20 ± ---	1 PLACE ± 0.30 ± ---	0 PLACE ± --- ± ---	DRAWN BY JS. JANG	DATE 1997/02/04	TITLE 4.3 DIA. RING TERMINAL
		ANGULAR ± 1 °					CHECKED BY BK. CHOI	DATE 1997/02/04	
		DRAFT WHERE APPLICABLE MUST REMAIN WITHIN DIMENSIONS					APPROVED BY CW. LEE	DATE 1997/02/04	
					MATERIAL NO. SEE NOTES	DOCUMENT NO. SD-35750-001	SHEET NO. 1 OF 1		
THIS DRAWING CONTAINS INFORMATION THAT IS PROPRIETARY TO MOLEX INCORPORATED AND SHOULD NOT BE USED WITHOUT WRITTEN PERMISSION									