

NOTES:

1.0 MATERIALS:

- 1.1 CPLING NUT & MAIN HSG.: STAINLESS STEEL PER ASTM-A582, TYPE 303.
- 1.2 TERMINATION HSG.: HALF HARD BRASS PER ASTM B16
- 1.3 CENTER CONTACT: BERYLLIUM COPPER ROD ALLOY C172, PER ASTM-B196.
- 1.4 DIELECTRIC: PTFE FLUOROCARBON PER ASTM-D1710.

2.0 PLATING:

- 2.1 TERMINATION HOUSING: GOLD PER MIL-PRF-39012.
- 2.2 CENTER CONTACT: GOLD PER MIL-PRF-39012.
- 2.3 COUPLING NUT & MAIN HOUSING: PASSIVATED PER MIL-F-14072 AND QQ-P-35

3.0 MARKING: MARK UNIT AS SHOWN

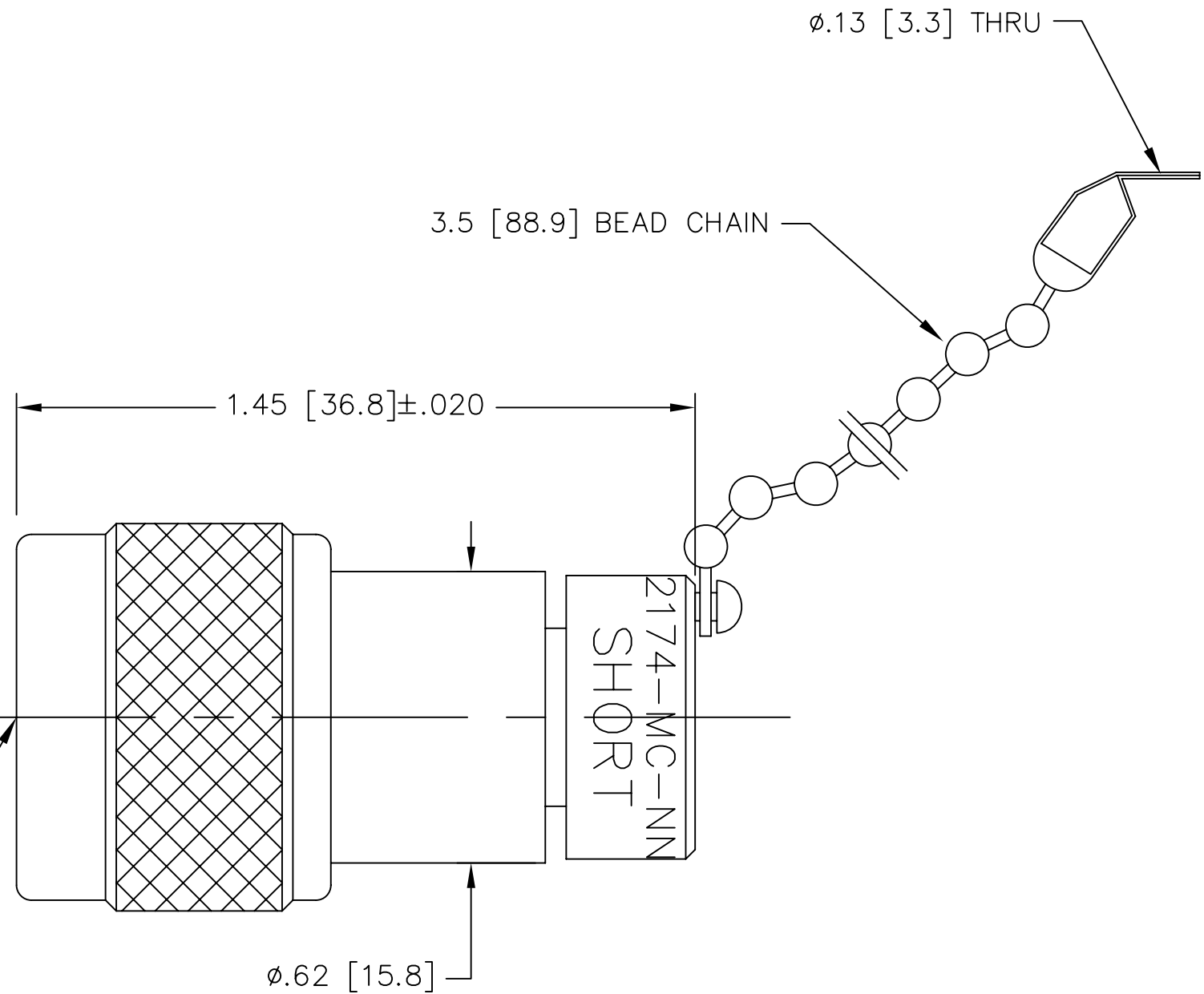
SHT-2174-MC-NNN-02

SHORT

THE WORD "SHORT" SHOULD BE AS BIG & AS BOLD AS POSSIBLE

4.0 DIMENSIONS IN PARENTHESIS ARE IN MILLIMETERS.

PRECISION TYPE N PLUG PER MIL-STD-348 FIG. 402.1



MODEL NUMBER	SHT-2174-MC-NNN-02
REV.	-

DATE	6/23/03
DESCRIPTION	RELEASED
REV.	-

UNLESS OTHERWISE NOTED DIMENSIONS ARE IN INCHES AND TOLERANCES ARE: 3 PLACE DECIMALS ±.005 2 PLACE DECIMALS ±.02 FRACTIONS ±1/64 PARALLELITY: T.I.R. _____ FLATNESS: T.I.R. _____ CONCENTRICITY: T.I.R. _____ ANGLES AND PERPENDICULARITY: ±1°	FSCM NO. 34078	MIDWEST MICROWAVE	
	NOTICE: The information contained in this drawing is proprietary and must not be used without the permission of Midwest Microwave		TITLE TYPE N PLUG SHORT CIRCUIT TERMINATION
DRAWN/DATE S.ORLOV 6/23/03	ENG./DATE G.KOZAK 6/23/03	DRAWING NUMBER SHT-2174-MC-NNN-02	
CHECKED/DATE	APPROVED/DATE	SCALE: 3=1	SHEET 1 of 1