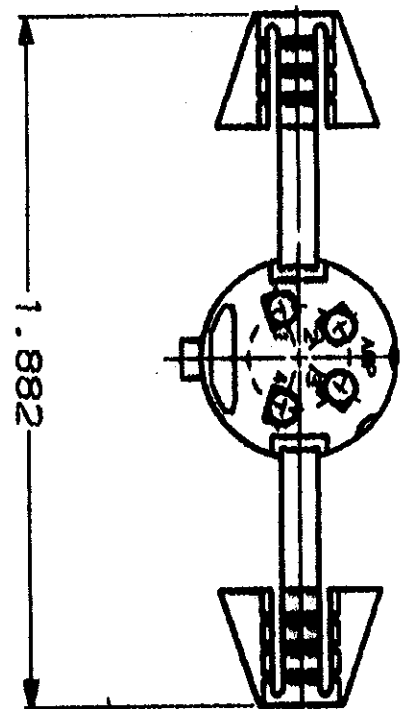
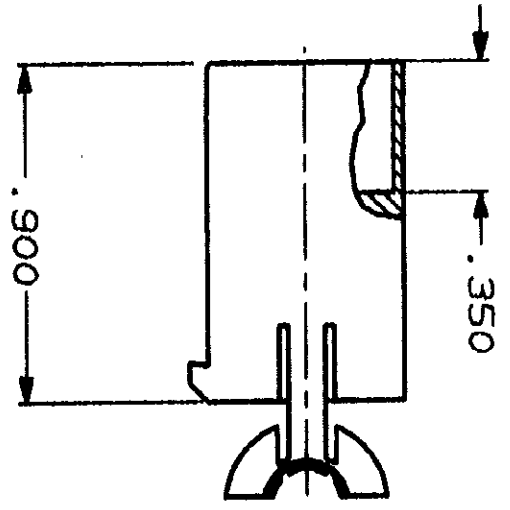
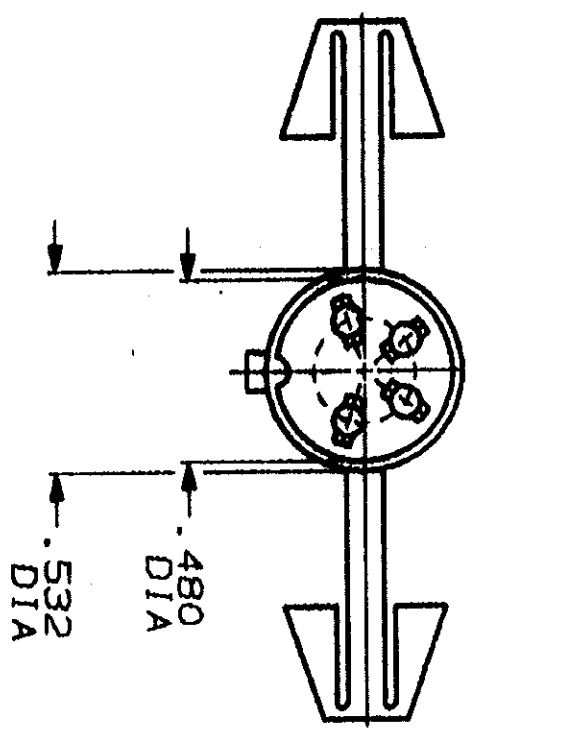


DRAWING MADE IN THIRD ANGLE PROJECTION
 THIS DRAWING IS UNPUBLISHED.
 © COPYRIGHT 1982 BY AMP INCORPORATED. ALL INTERNATIONAL RIGHTS RESERVED.

NO.	DATE	BY	DESCRIPTION
23	BD	39	REDRAWN
			REVISIONS
ZONE	LTR	DATE	APPD
B		8/22/88	KB



1. ASSEMBLES WITH 207314-1

207313-1
PART NO.

207313

DO NOT SCALE PRINT. UNLESS SPECIFIED DIMENSIONS IN INCHES TOLERANCES ON : 2 PLC DEC # .005 3 PLC DEC # .005 ANGLES MATERIAL NYLON, BLACK		DR 8/20/88 A. STUBS BG CHK - Arnold 5-30-91 APPD K. Basso 6-2-91 PRODUCT SPEC 4/7/91	AMP AMP Incorporated Harrisburg, PA 17105-3508
FINISH	APPLICATION SPEC	NAME	HOUSING, PIN CONTACT AUDIO MICROPHONE CONNECTOR, 4 POSN
SCALE	CAGE CODE	DRAWING NO	SHEET
2:1	00779	207313	1 OF 1

CUSTOMER DRAWING