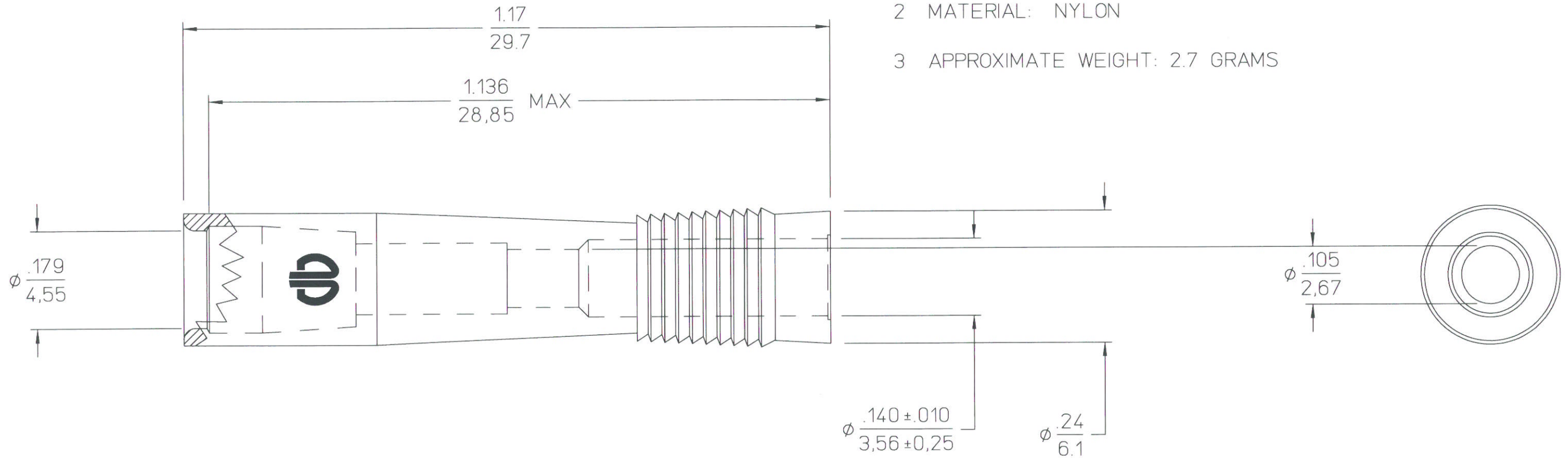


NOTES: UNLESS OTHERWISE SPECIFIED;

1 INTERPRET THIS DRAWING IN ACCORDANCE WITH ANSI Y14.5M-1982.

2 MATERIAL: NYLON

3 APPROXIMATE WEIGHT: 2.7 GRAMS



COLOR TABLE	
CATALOG NO.	COLOR
RSMDEX-1	NATURAL (CLEAR TO WHITE)
RSMDEX-5	BLACK
RSMDEX-6	BLUE
RSMDEX-7	BROWN
RSMDEX-8	RED
RSMDEX-9	GREEN
RSMDEX-10	YELLOW
RSMDEX-11	VIOLET (PURPLE)
RSMDEX-12	GRAY
RSMDEX-13	ORANGE

REFERENCE:  
 SD61512 - TRIM TRIO  
 SC60760 - RSCDEX-\_\_  
 SE52918 - SUB-MINIATURE COAX HYFEN  
 SD57870 - SUB-MINIATURE COAX

ACCOMMODATES:  
 RMDX60-2 (SE52918)

SUPERSEDES: SKM13918-0  
 AND SC55386-6

LINEAR MEASURE:	INCH	INCH [mm]
	mm	
THIRD ANGLE PROJECTION		
- TOLERANCES -		
UNLESS OTHERWISE SPECIFIED		
NO OF DECIMAL PLACES IN INCHES	INCH [mm]	
ONE PLACE	±.1 [±.3]	
TWO PLACES	±.02 [±0.5]	
THREE PLACES	±.005 [±0.13]	
ANGLES ±1°		

7	REDRAWN ON CAD WITHOUT CHANGE (ECN3129)	SMM	PJB	10/28/94
REV	REVISION DESCRIPTION	BY	CHKD	DATE
SUB-MINIATURE COAX SPLICE (RECEPT)				
CAT NO RSMDEX-__ (SEE TABLE)				
DWG RELEASED TO CENTRAL FILE 11-1-94				
CAGE NO 09922   ECN 3129   PC 830				
© BURNDY CORPORATION 1994				
APPROVAL	DRWN	RWD	1-14-64	
	CHKD	AR	1-16-64	
	DSGN	HP	1-17-64	
	MKT	MG	10-28-94	
	QC	SJ	10-28-94	
DRAWING SCALE 5 : 1				
DRAWING NO				REV
SC55386				7
SHEET 1 OF 1				

