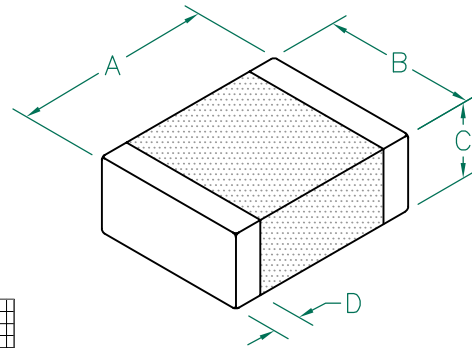


MI1210K600R-10

UNCONTROLLED DOCUMENT

PHYSICAL DIMENSIONS:

A	3.20 [.126]	+ 0.20 [.008]
B	2.50 [.098]	+ 0.20 [.008]
C	1.40 [.055]	+ 0.20 [.008]
D	0.46 [.018]	+ 0.20 [.008]



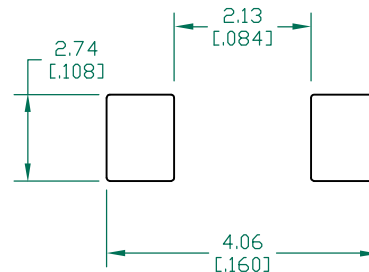
ELECTRICAL CHARACTERISTICS:

Z @ 100MHz (Ω)	DCR (Ω)	Rated Current
Nominal	60	
Minimum	45	
Maximum	75	0.035
		1500 mA

- NOTES: UNLESS OTHERWISE SPECIFIED
1. TAPED AND REELED per CURRENT EIA SPECIFICATIONS 7" REELS, 3000 PCS/REEL. EMBOSSED PLASTIC TAPE.
 2. COMPONENTS SHOULD BE ADEQUATELY PREHEATED BEFORE SOLDERING.
 3. TERMINATION FINISH IS 100% TIN.
 4. OPERATING TEMP. RANGE: -40°C~+125°C. (INCLUDING SELF-HEATING)

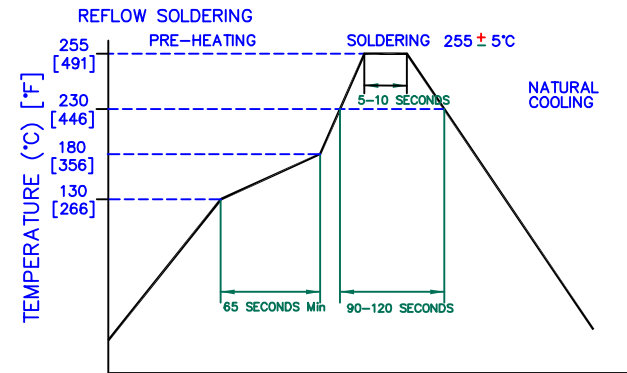


LAND PATTERNS FOR REFLOW SOLDERING

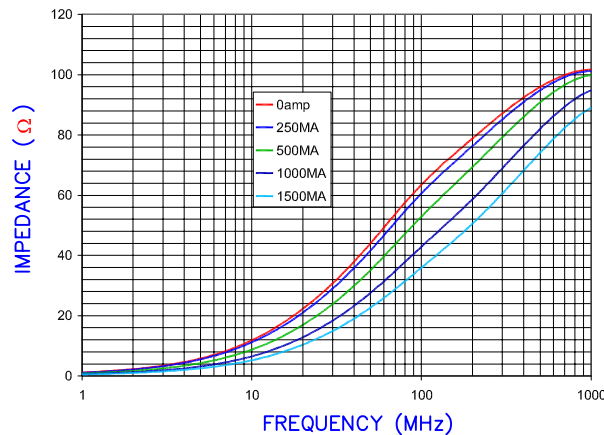


(For wave soldering, add 0.762 (0.030) to this dimension)

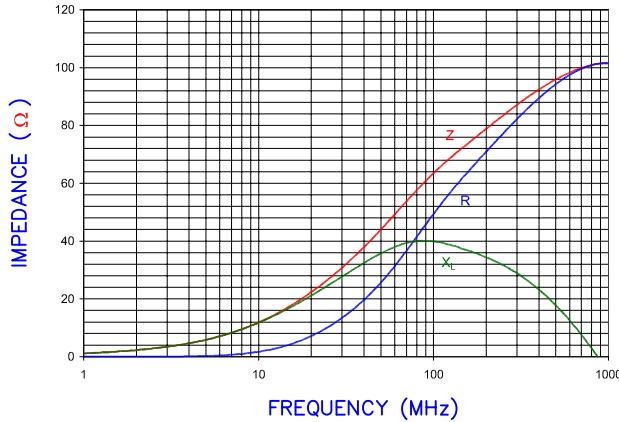
RECOMMENDED SOLDERING CONDITIONS



Z vs FREQUENCY IMPEDANCE UNDER DC BIAS



|Z|, R, AND X vs. FREQUENCY



— Z — R — X_L



DIMENSIONS ARE IN mm [INCHES].				This print is the property of Laird Tech. and is loaned in confidence subject to return upon request and with the understanding that no copies shall be made without the written consent of Laird Tech. All rights to design or invention are reserved.			
D	ADD OPERATING TEMPERATURE UPDATE LAIRD LOGO AND REFLOW CURVE	08/05/13	QU	Laird PROJECT/PART NUMBER: MI1210K600R-10 REV: D PART TYPE: CO-FIRE DRAWN BY: JRK DATE: 04/13/04 SCALE: NTS SHEET: 2 of 2 CAD # TOOL # MI1210K600R-10-D			
C	UPDATE COMPANY LOGO	08/26/08	JRK				
B	ADD ROHS SYMBOL; UPDATE TAPE NOTE; UPDATE COMPANY LOGO	08/31/07	JRK				
A	ORIGINAL DRAFT	04/13/04	JRK				
REV	DESCRIPTION	DATE	INT				