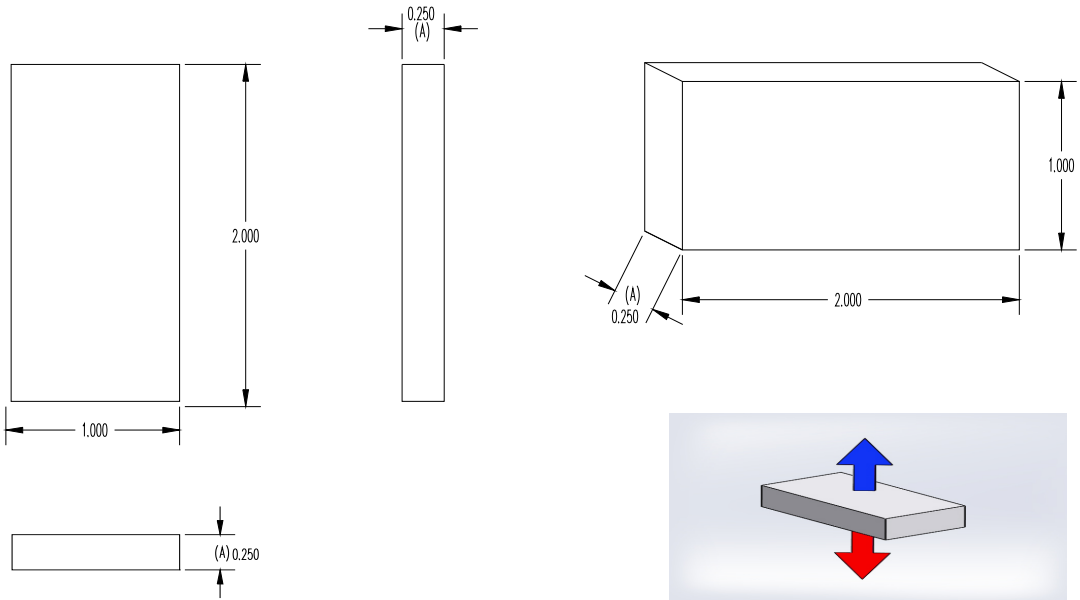


REVISIONS			
LTR	DESCRIPTION	DATE	APPROVED
—	INITIAL RELEASE		H D



UNLESS OTHERWISE SPECIFIED
DIMENSIONS ARE IN INCHES

TOLERANCES:
 FRACTIONS: $\pm 1/64$
 DECIMALS: ± 0.015
 ANGLES: $\pm 1^\circ$

MATERIAL: NdFeB
 FINISH: NiCuNi

RADIAL MAGNETS INC.			
108B NW 20th St. BOCA RATON, FL 33431 (561)392-2103			
SHAPE BLOCK	STRENGTH N35	PLATING NiCuNi	SIZE AND DIRECTION OF MAGNETIZATION (A) 1" x 2" x 1/4"
SIZE A	PART # 8117	DRAWING # RM8117	REVISION -
SCALE 2 : 1	DRAWN: CG	CHECKED: HD	APPROVED: HD PAGE 1 OF 1