

THIS IS ISSUED IN STRICT CONFIDENCE THAT IT IS NOT USED AS A BASIS FOR MANUFACTURE OR SALE AND THAT IT IS NOT COPIED, REPRINTED OR DISCLOSED TO A THIRD PARTY EITHER WHOLLY OR IN PART WITHOUT THE PRIOR WRITTEN CONSENT OF CAL TEST ELECTRONICS, INC.

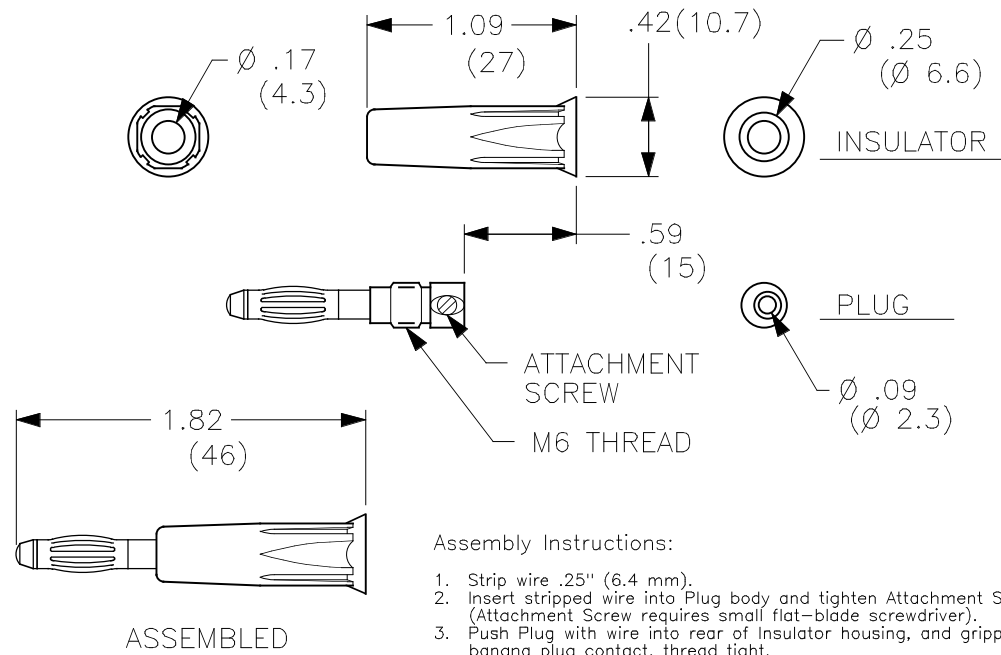
REVISIONS			
REV.	DESCRIPTIONS	DATE	APPROVED
—	CLASS A RELEASED	7/11/99	

- DO-IT-YOURSELF (DIY) 4 mm IN-LINE PLUG, SCREW ATTACHMENT.
- SPECIFICATIONS:
INSULATOR BODY: POLYAMIDE (NYLON)
PLUG BODY: BRASS, NICKEL PLATED
SPRING CONTACT: BeCu, NICKEL PLATED
- RATING:
VOLTAGE: 1,200 V AC/DC
CURRENT: 36 A MAX.
TEMPERATURE: -20° C TO +80°C.
- MAXIMUM WIRE SIZES:
CONDUCTOR: \varnothing .090 (12 AWG)
STRIP LENGTH: .25 (6.4)

PART NUMBER

CT2011-#

- COLOR:
- 0 - BLACK
 - 2 - RED
 - 4 - YELLOW
 - 5 - GREEN
 - 6 - BLUE
 - 9 - WHITE



THIRD ANGLE PROJECTION		UNLESS OTHERWISE SPECIFIED DIMENSIONS ARE IN INCHES TOLERANCES ARE: FRACTIONS DECIMALS ± 1/32 .XX ± .02 .XXX ± .005 DO NOT SCALE DRAWING	CONTRACT NO.		Cal Test Electronics 22820 Savi Ranch Parkway Yorba Linda, CA 92887-4610			
			APPROVALS	DATE			TITLE	
MATERIAL		DRAWN	WDH	7/11/99	DIY 4 mm PLUG, SCREW			
FINISH		CHECKED						
NEXT ASSY		ENGR.			SIZE	CAGE CODE	DWG. NO.	REV.
USED ON		DESIGN ACTIVITY			A	43F45	P201100	—
APPLICATION					SCALE	1:1	SHEET	1 OF 1