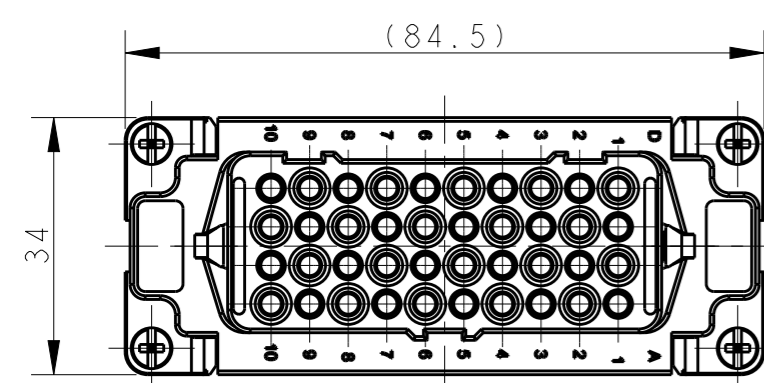
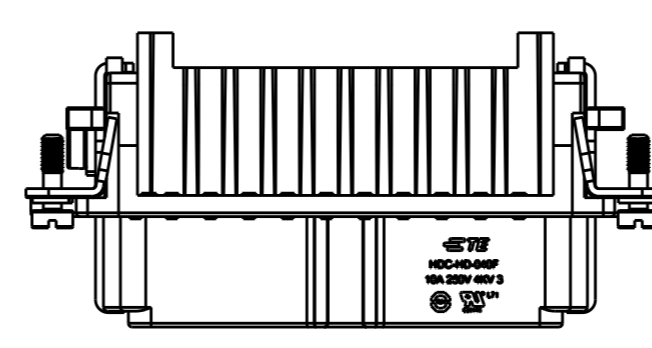
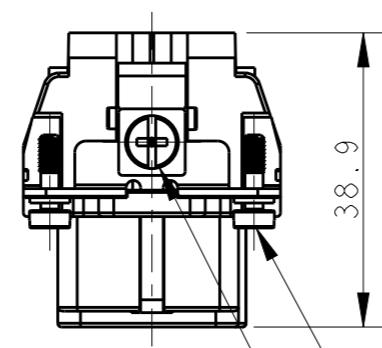
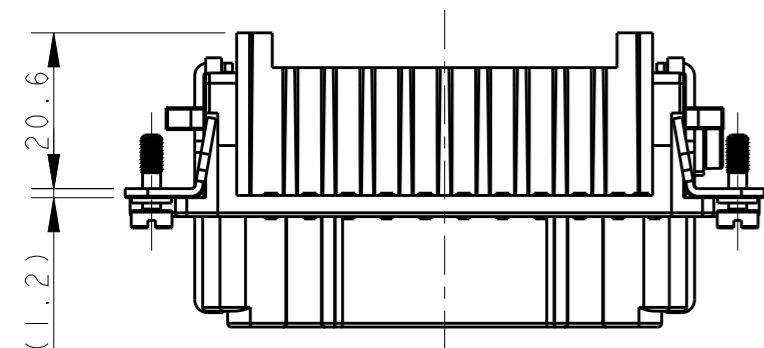
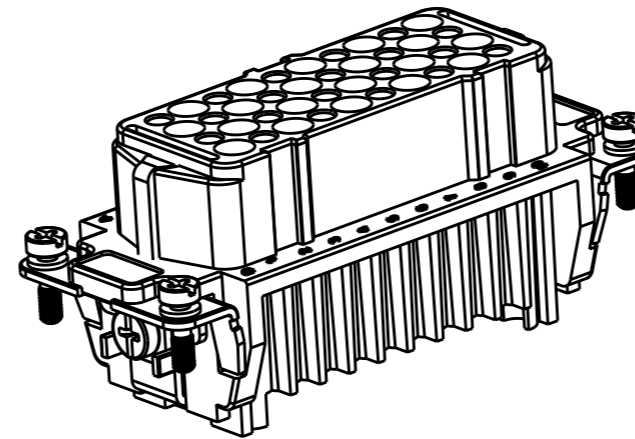
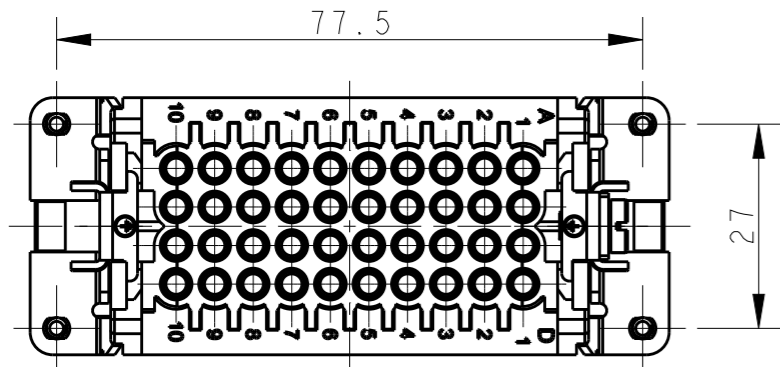


THIS DRAWING IS UNPUBLISHED. RELEASED FOR PUBLICATION 20  
 © COPYRIGHT 20 BY - ALL RIGHTS RESERVED.

REVISIONS

P	LTR	DESCRIPTION	DATE	DWN	APVD
A1		ECR-15-010494	14JUL2015	DW	CW
B		ECR-15-013292	24SEP2015	DL	CW
B1		ECR-15-017530	02DEC2015	GY	CW
B2		ECR-16-015492	08NOV2016	QY	CW

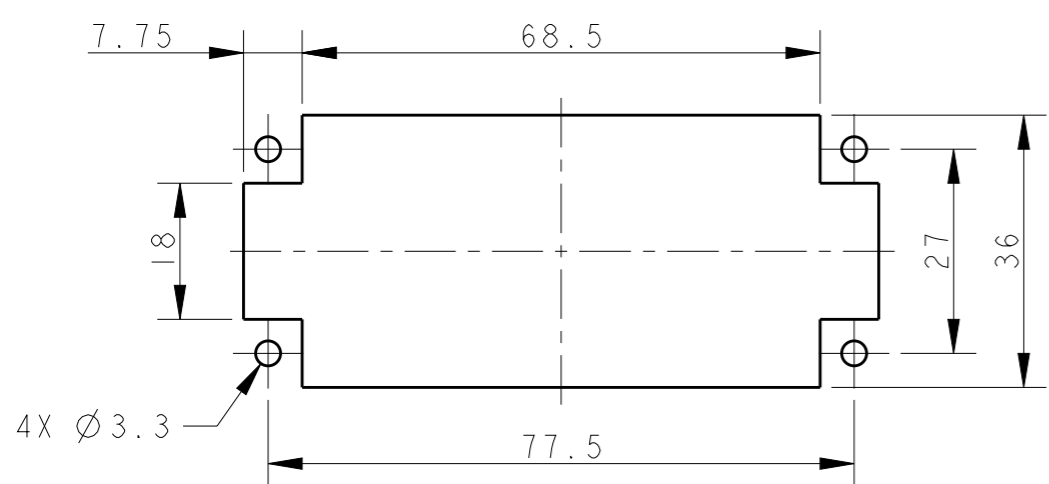


4X M3 SCREW RECOMMENDED  
 TIGHTENING TORQUE 0.5Nm  
 4X M3螺丝, 推荐锁紧力矩0.5Nm

M4 SCREW RECOMMENDED  
 TIGHTENING TORQUE 1.2Nm  
 M4 螺丝, 推荐锁紧力矩1.2Nm

- NOTES:
- TECHNICAL CHARACTERISTICS:  
 INSULATION MATERIAL: PC  
 RATED VOLTAGE: 250 V  
 RATED CURRENT: 10 A  
 INSULATION RESISTANCE:  $\geq 400M\Omega$   
 RATED IMPULSE VOLTAGE: 4 KV  
 POLLUTION DEGREE: 3  
 FLAMMABILITY: UL94V-0  
 MATING CYCLES: 500 CYCLES  
 WIRE RANGE: 0.14-2.5 mm<sup>2</sup> (26-14 AWG)  
 CONTACT TYPE: CRIMP CONTACT
  - CONTACT NEED TO BE ORDERED SEPARATELY.  
 (ORDER No. REFER TO DRAWING: T20200X20XX000)

- 注释:
- 技术参数:  
 绝缘材料: PC  
 额定电压: 250V  
 额定电流: 10A  
 绝缘电阻:  $\geq 400M\Omega$   
 额定脉冲电压: 4 KV  
 污染等级: 3  
 阻燃等级: UL94V-0  
 插拔次数: 500次  
 接线范围: 0.14-2.5 mm<sup>2</sup> (26-14 AWG)  
 接线类型: 冷压接
  - 端子需要单独订购。  
 (订货号参考图面: T20200X20XX000)



PANEL CUT OUT FOR INSERTS FOR USE WITHOUT HOODS/HOUSINGS  
 不用防护外壳时芯件的安装开孔图

TYPE-1, T2020402201-000, TE LOGO  
 类型-1, T2020402201-000, TE LOGO

TYPE-2, T2020402201-001, STAINLESS STEEL SCREW, TE LOGO  
 类型-2, T2020402201-001, 不锈钢螺丝, TE LOGO

THIS DRAWING IS A CONTROLLED DOCUMENT.		DWN 16DEC2014 RAGHAVENDRA H M		TE Connectivity	
		CHK 16DEC2014 CHRIS WANG			
DIMENSIONS: mm		TOLERANCES UNLESS OTHERWISE SPECIFIED:		NAME HD-040-F	
		0 PLC ±-		PRODUCT SPEC 108-137042	
		1 PLC ±-		APPLICATION SPEC	
MATERIAL		FINISH		SIZE A3	
				CAGE CODE -	
				DRAWING NO T2020402201000	
				RESTRICTED TO -	
				SCALE 1:1	
				SHEET 1 OF 2	
				REV B2	
				Customer Drawing	

4

3

2

1

THIS DRAWING IS UNPUBLISHED.

RELEASED FOR PUBLICATION

20

© COPYRIGHT 20 BY -

ALL RIGHTS RESERVED.

REVISIONS

P	LTR	DESCRIPTION	DATE	DWN	APVD
-		SEE SHEET 1	-	-	-

NOTE:  
SEE SHEET 1

注释:  
见页 1

TYPE-3, T2020402201-002, STAINLESS STEEL SCREW, NO LOGO  
类型-3, T2020402201-002, 不锈钢螺丝, 无LOGO

ALL DIMENSIONS ARE SAME AS TYPE 1,  
EXCEPT THOSE DEFINED IN THIS TYPE.  
除了在本类型中定义的尺寸外, 其它尺寸同类型 1

T2020402201-002	HD-040-F	HD-040 FEMALE INSERT, STAINLESS STEEL SCREW, NO LOGO HD-040 母插, 不锈钢螺丝, 无LOGO	TYPE-3 类型-3
T2020402201-001	HD-040-F	HD-040 FEMALE INSERT, STAINLESS STEEL SCREW HD-040 母插, 不锈钢螺丝	TYPE-2 类型-2
T2020402201-000	HD-040-F	HD-040 FEMALE INSERT HD-040 母插	TYPE-1 类型-1
PART NUMBER 料号	PART DESCRIPTION 描述		TYPE 类型

THIS DRAWING IS A CONTROLLED DOCUMENT.		DWN 16DEC2014 RAGHAVENDRA H M		
DIMENSIONS: mm		CHK 16DEC2014 CHRIS WANG		
TOLERANCES UNLESS OTHERWISE SPECIFIED:		APVD 16DEC2014 XU XIANG	NAME HD-040-F	
0 PLC ±-		PRODUCT SPEC 108-137042	SIZE	
1 PLC ±-		APPLICATION SPEC	CAGE CODE	
2 PLC ±-		WEIGHT	DRAWING NO	
3 PLC ±-			RESTRICTED TO	
4 PLC ±-			SCALE	
ANGLES ±-			SHEET	
FINISH			REV	
MATERIAL			Customer Drawing	
			SCALE 1:1	
			SHEET 2 OF 2	
			REV B2	

1470-19 (3/13)