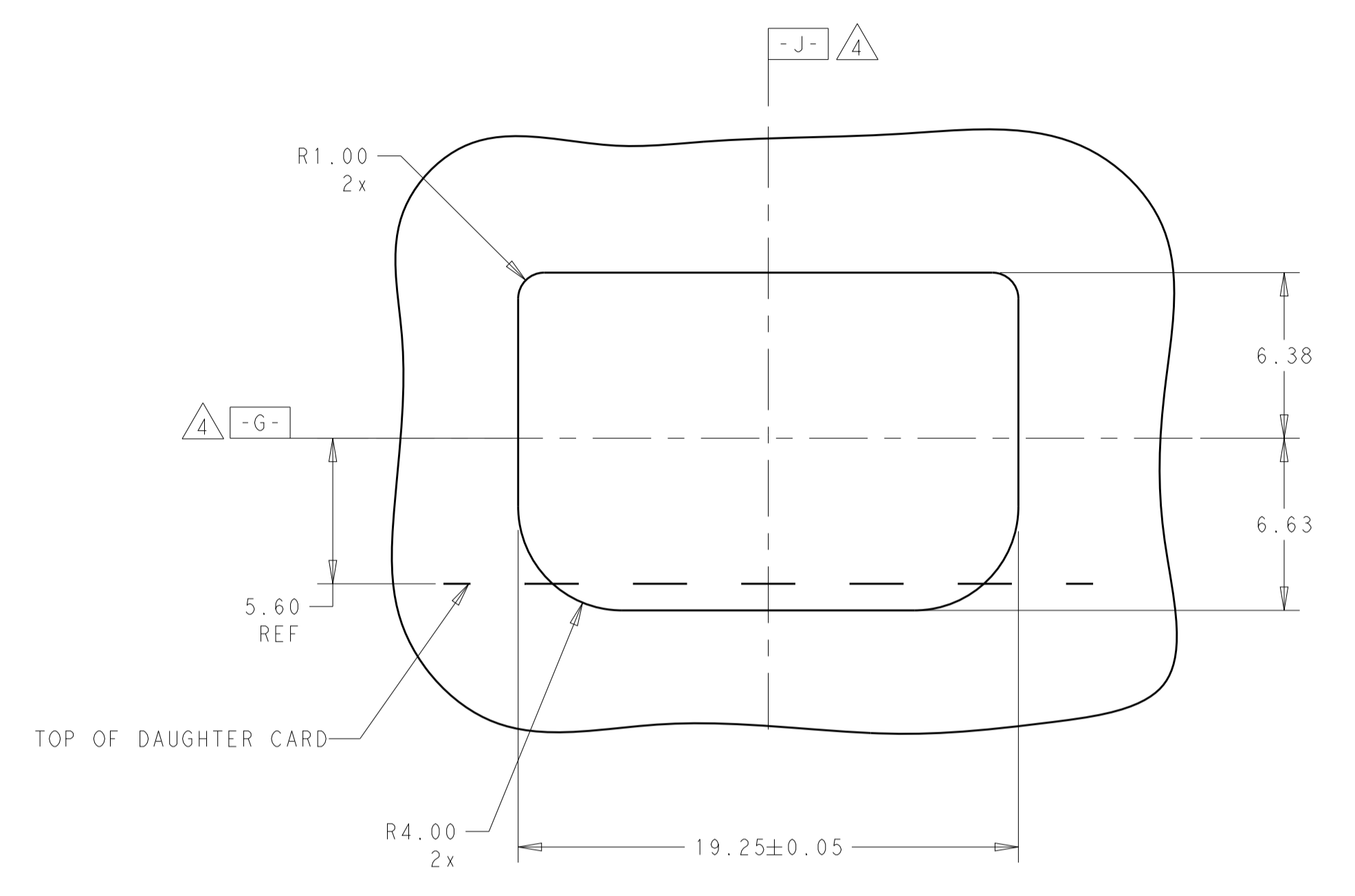
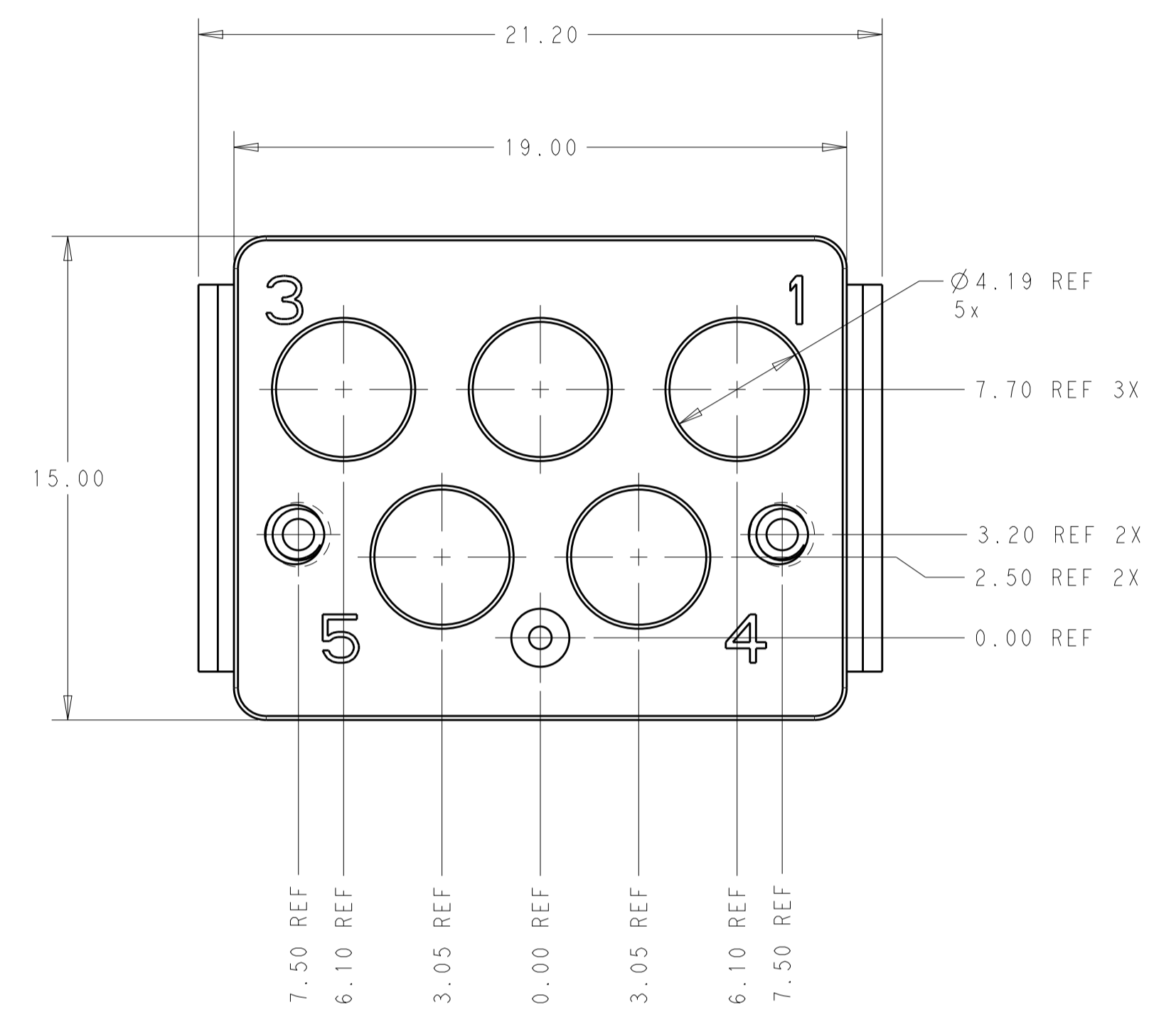
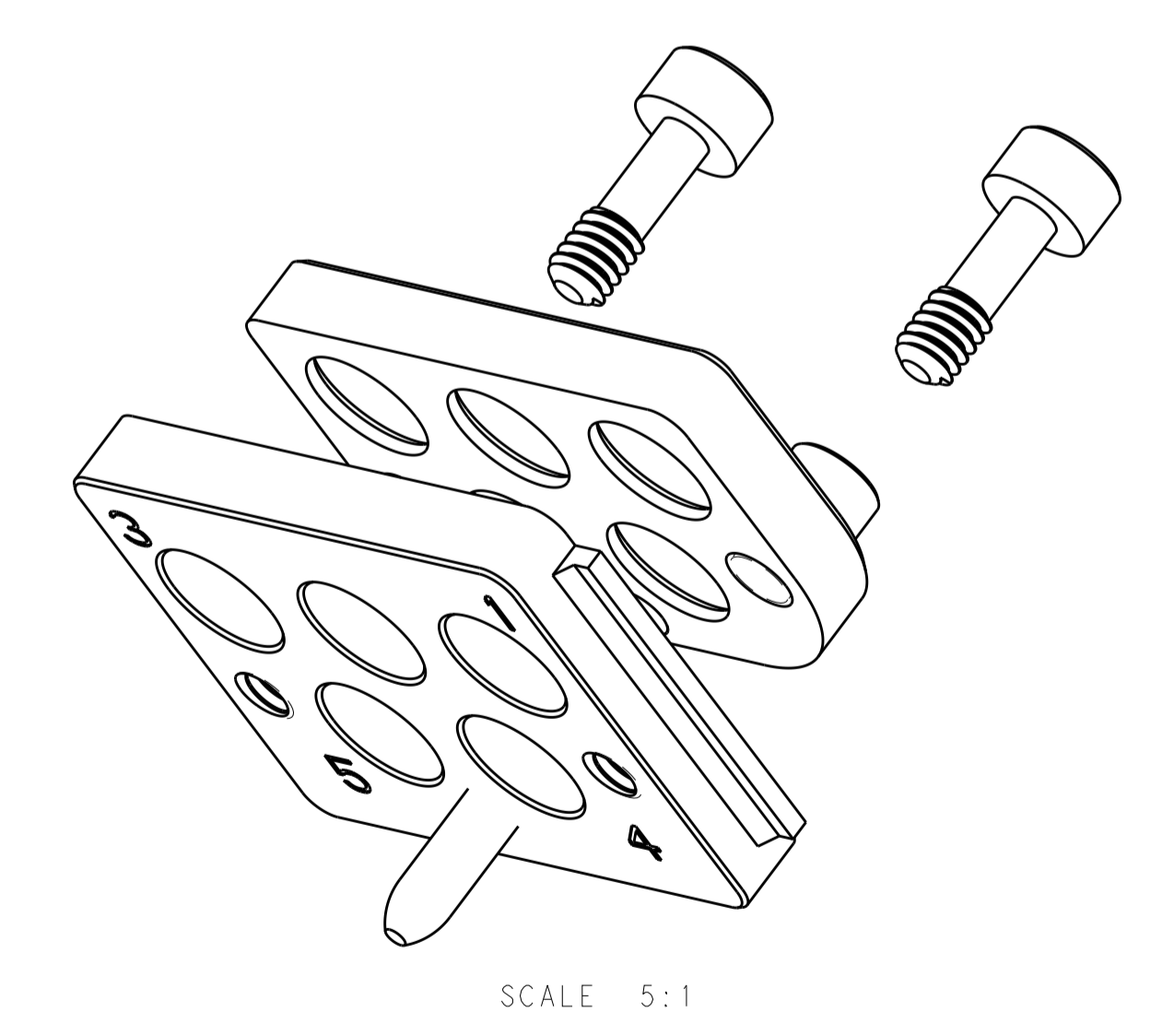
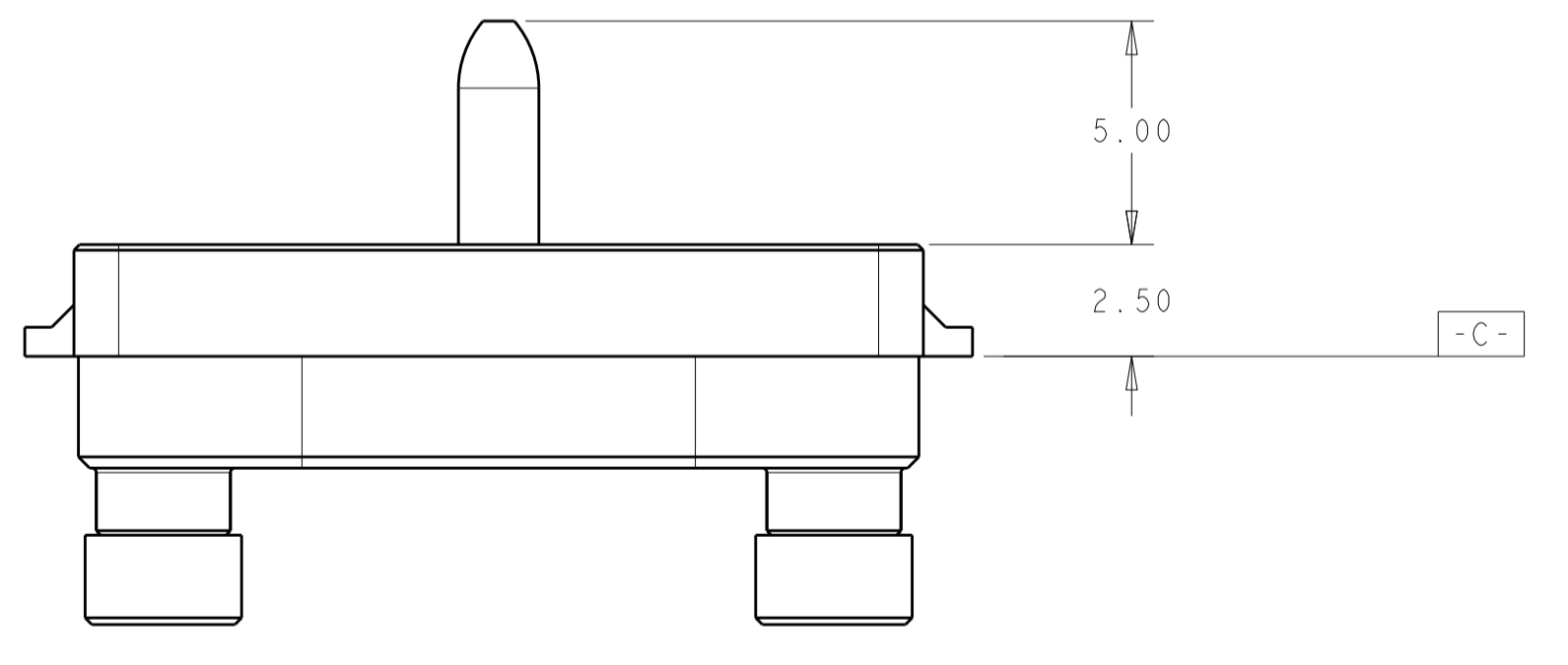


REVISIONS				
P.	LTN	DESCRIPTION	DATE	DWN APVD
B		REV PER ECO 15-001495	1-29-15	CT DH



RECOMMENDED PCB LAYOUT



SCALE 5:1

- ⚠ MATERIAL:
STAINLESS STEEL
- ⚠ FINISH:
PASSIVATED
- ⚠ DIMENSION APPLIES TO CENTERLINE OF THRU HOLE
- ⚠ SEE 2102428-1 FOR DIMENSIONS

2226512-1
PART NUMBER

THIS DRAWING IS A CONTROLLED DOCUMENT.		DWN D. BELACK 04SEP2013	TE Connectivity	
DIMENSIONS: mm		CHK N. RUFFINI		
TOLERANCES UNLESS OTHERWISE SPECIFIED:		APVD K. THACKSTON	NAME SMPM, METAL SHELL LRU, VERTICAL BACKPLANE, MODULE	
0 PLC ±.13		PRODUCT SPEC 108-2474	SIZE A1	
2 PLC ±0.08		APPLICATION SPEC 114-13251	CAGE CODE -	
3 PLC ±0.025		WEIGHT -	SCALE 10:1	
4 PLC ±.2		RESTRICTED TO -	SHEET 1 OF 1	
ANGLES ±2°		Customer Drawing	REV B	