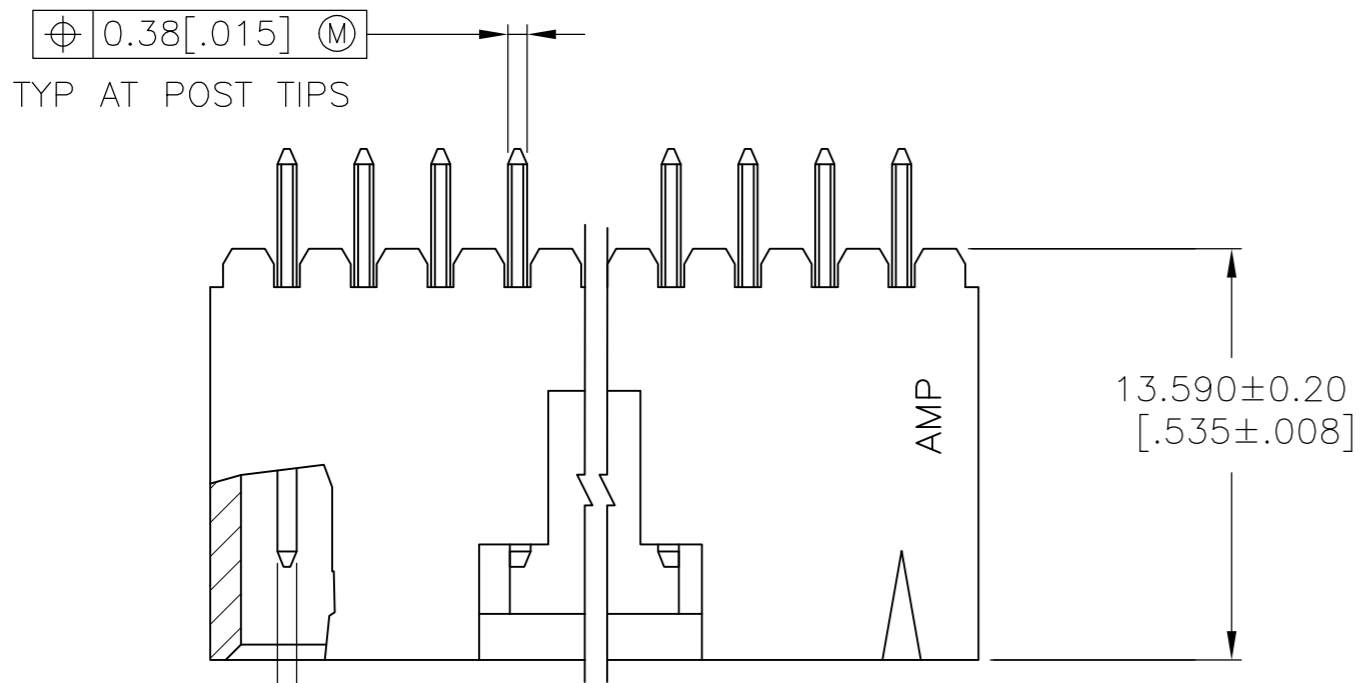
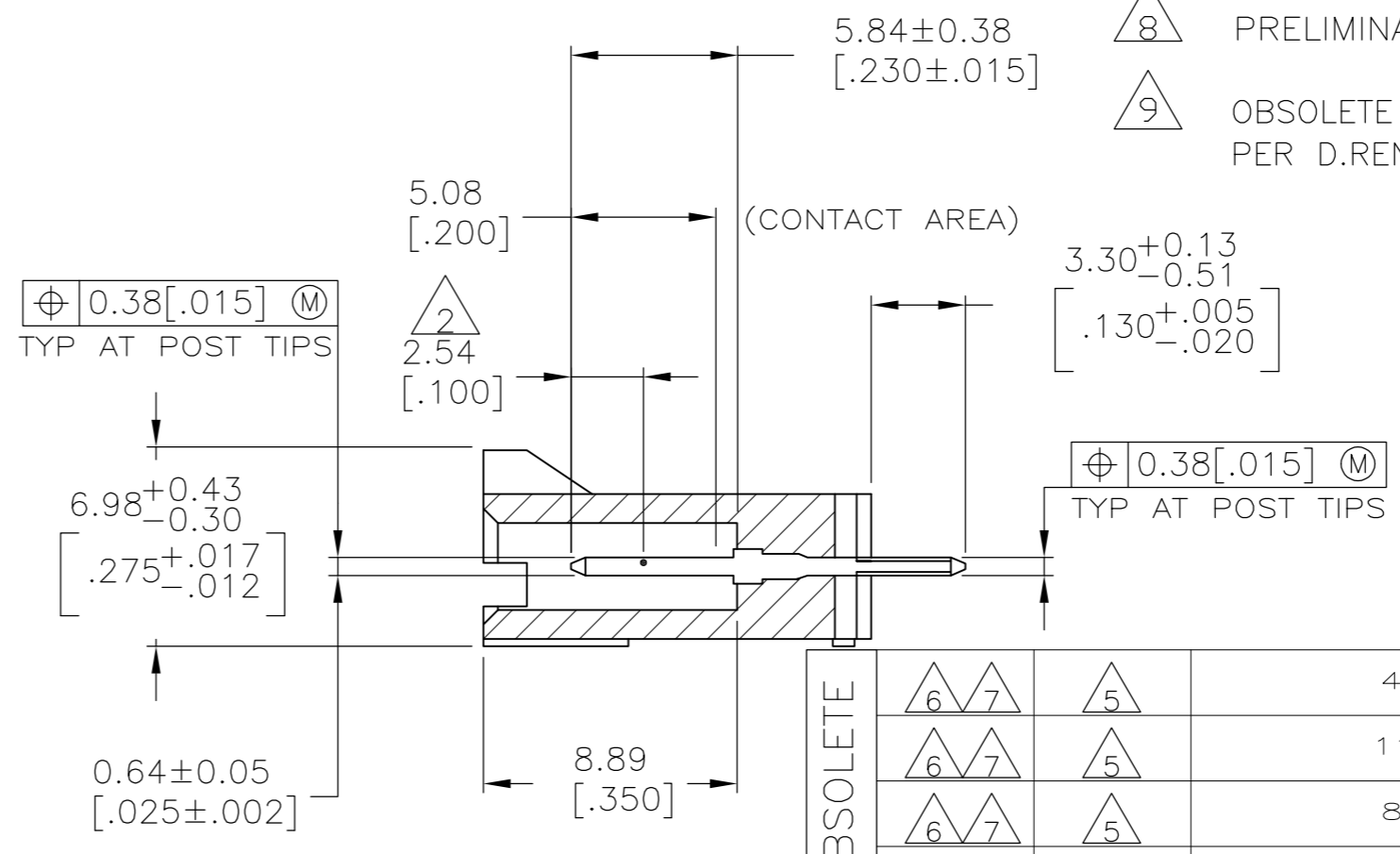
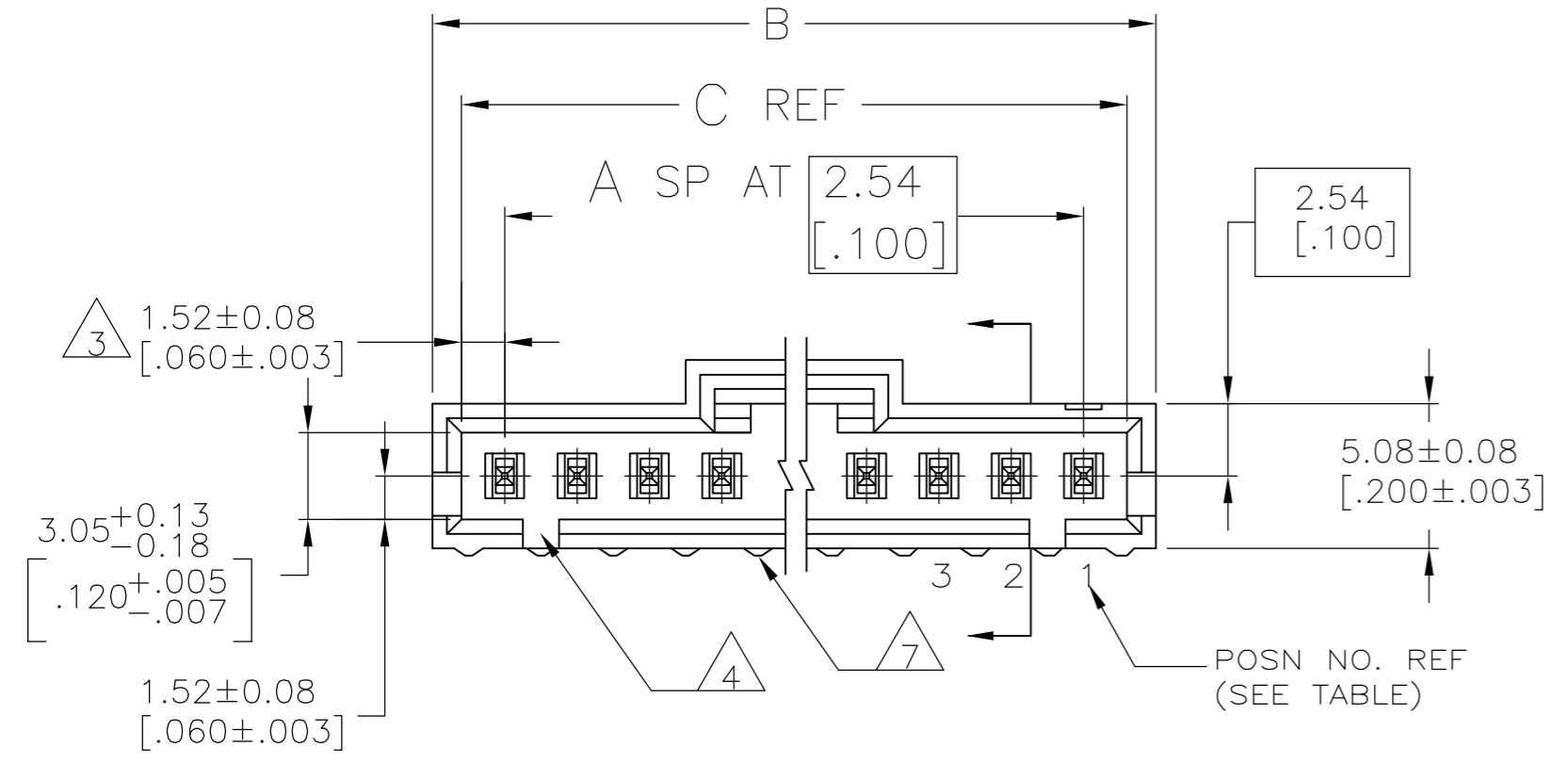
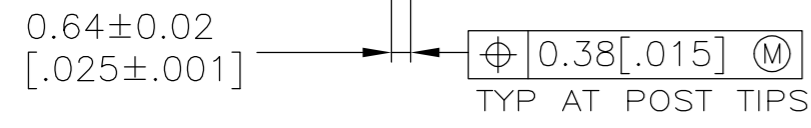


THIS DRAWING IS UNPUBLISHED. RELEASED FOR PUBLICATION  
 © COPYRIGHT BY TYCO ELECTRONICS CORPORATION. ALL RIGHTS RESERVED.

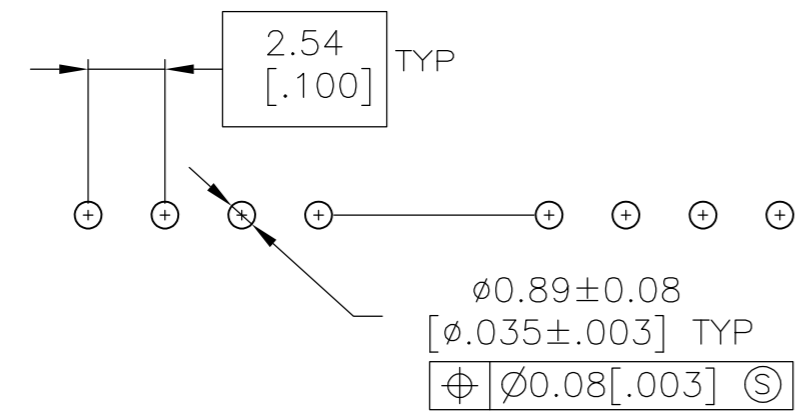
LOC		DIST		REVISIONS				
P	LTR	DESCRIPTION		DATE	DWN	APVD		
	H1	ECO-05-6292		11APR06	MB	JLG		
	H2	REVISED PER ECO-09-020689		02SEP09	KK	AEG		



- 1 .00038[.000015] GOLD IN THE CONTACT AREA, .00254[.000100] MATTE TIN-LEAD ON THE REMAINDER OF CONTACT, ALL OVER .00127[.000050] NICKEL.
- 2 POINT OF MEASUREMENT FOR PLATING THICKNESS.
- 3 THE NOTED DIMENSIONS APPLY AT THE INTERSECTION OF THE POST AND THE HOUSING.
- 4 ON ASSEMBLIES WITH FOUR OR MORE POSITIONS, TWO POLARIZATION SLOTS. ON ASSEMBLIES WITH TWO OR THREE POSITIONS, ONE POLARIZATION SLOT.
- 5 .00038[.000015] GOLD IN THE CONTACT AREA, .00254[.000100] MATTE TIN ON THE REMAINDER OF CONTACT, ALL OVER .00127[.000050] NICKEL.
- 6 HIGH TEMPERATURE CONFIGURATION.
- 7 STANDOFF NOT PRESENT ON UNDERSIDE OF ASSEMBLY
- 8 PRELIMINARY PART - NOT RELEASED FOR PRODUCTION.
- 9 OBSOLETE PARTS: OBSOLETE CIS STREAMLINING PER D.RENAUD/D.SINISI



REMARKS	PLATING	POST NUMBER OMITTED	C	B	A	NO. OF POSN	PART NO.	
OBSOLETE	6 7	5	4	25.91 [1.020]	27.94 [1.100]	9	10	5-104903-4
	6 7	5	11	28.45 [1.120]	30.48 [1.200]	10	11	5-104903-3
	6 7	5	8	23.37 [0.920]	25.40 [1.000]	8	9	5-104903-2
	6 7	5	3	15.75 [0.620]	17.78 [0.700]	5	6	5-104903-1
8		1	19	51.31 [2.020]	53.34 [2.100]	19	20	104903-6
8		1	2	41.15 [1.620]	43.18 [1.700]	15	16	104903-5
OBSOLETE		1	4	25.91 [1.020]	27.94 [1.100]	9	10	104903-4
		1	11	28.45 [1.120]	30.48 [1.200]	10	11	104903-3
		1	8	23.37 [0.920]	25.40 [1.000]	8	9	104903-2
		1	3	15.75 [0.620]	17.78 [0.700]	5	6	104903-1



RECOMMENDED HOLE LAYOUT

THIS DRAWING IS A CONTROLLED DOCUMENT.

DIMENSIONS: mm [INCHES]	TOLERANCES UNLESS OTHERWISE SPECIFIED:	DWN J.HERRINGTON 30-9-93	CHK J.GESFORD 30-9-93	APVD J.GESFORD 30-9-93	NAME
0 PLC ± -	1 PLC ± -	2 PLC ± 0.13[.005]	3 PLC ± -	4 PLC ± -	PRODUCT SPEC
FINISH SEE TABLE		108-25034		114-25026	
MATERIAL HOUSING: FLAME RETARDANT THERMOPLASTIC COLOR - BLACK CONTACTS: BRASS		WEIGHT -		CUSTOMER DRAWING	

Tyco Electronics Corporation Harrisburg, Pa 17105-3608

HDR ASSY, VERT, SINGLE ROW 2.54[.100]CL, 0.64[.025] SQ POST, WITH PLZN, AMPMODU MTE

SIZE A2 CAGE CODE 00779 DRAWING NO. C=104903 RESTRICTED TO -

SCALE 4:1 SHEET 1 OF 1 REV H2