

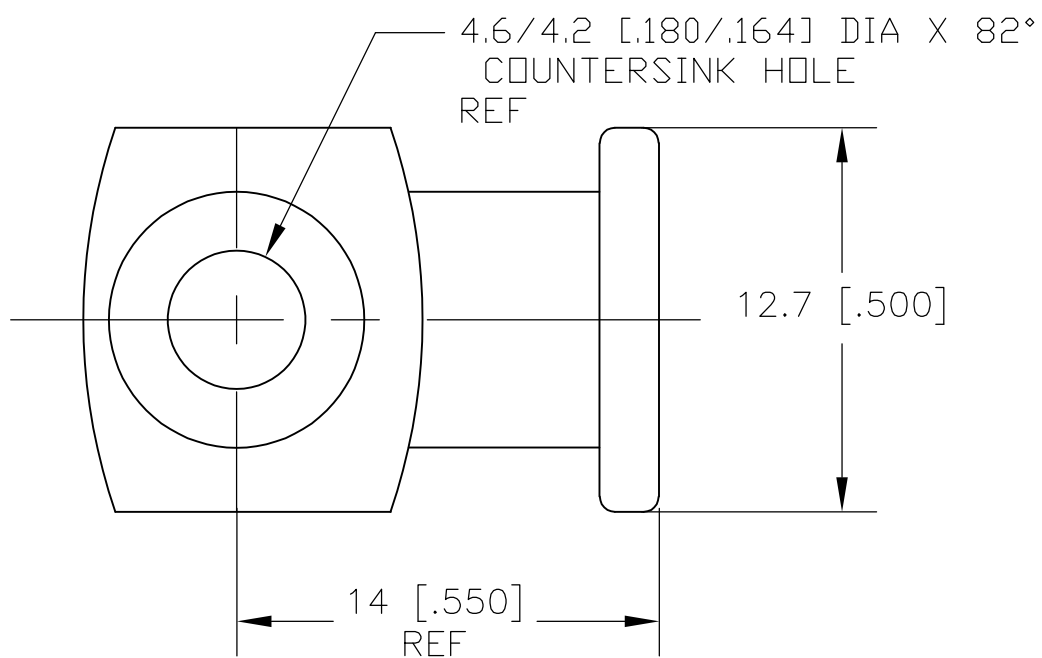
THIS DRAWING IS UNPUBLISHED.

RELEASED FOR PUBLICATION

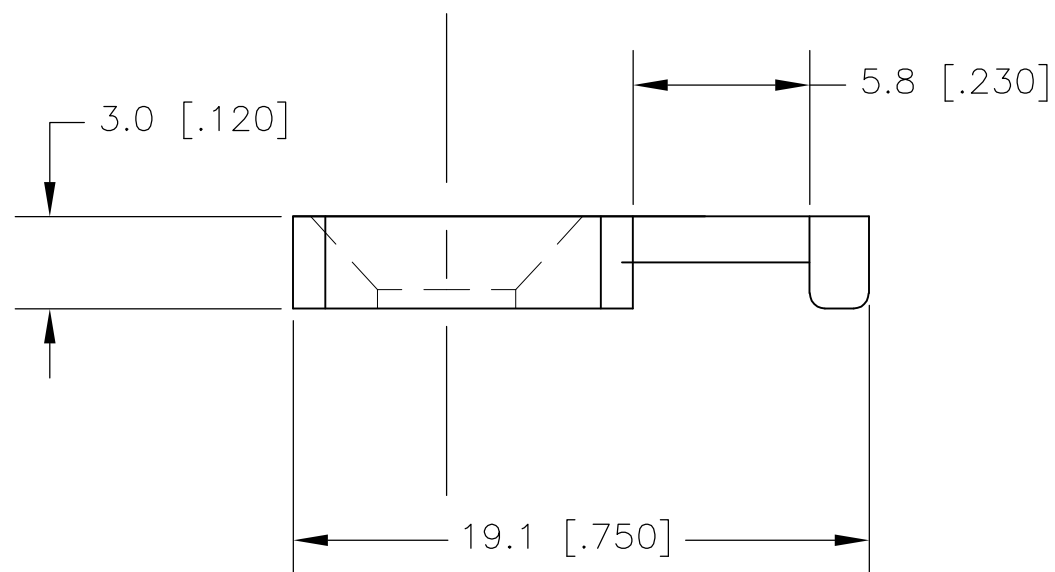
© COPYRIGHT - BY TYCO ELECTRONICS CORPORATION.

ALL INTERNATIONAL RIGHTS RESERVED.

LOC	DIST	REVISIONS					
		P	LTR	DESCRIPTION	DATE	DWN	APVD
G	01		F	REV PER ECR 10-015407	28JUL10	JR	TM



1 NOT WEATHER RESISTANT



1000	LOOSE PIECE	2-350087-0
100	LOOSE PIECE	1-350087-0
QTY PER PACK	PACKAGE TYPE	PART NO.

THIS DRAWING IS A CONTROLLED DOCUMENT.		DWN jr_ruth 23FEB09	Tyco Electronics Corporation Harrisburg, PA 17105-3608													
DIMENSIONS: MM [INCHES]		CHK TOM MICHIELUTTI 23FEB09	NAME BASE, PRE-MOUNTABLE, CABLE TIE													
TOLERANCES UNLESS OTHERWISE SPECIFIED:		APVD TOM MICHIELUTTI 23FEB09	PRODUCT SPEC -													
<table border="0"> <tr><td>0 PLC</td><td>± -</td></tr> <tr><td>1 PLC</td><td>± -</td></tr> <tr><td>2 PLC</td><td>± -</td></tr> <tr><td>3 PLC</td><td>± 0.5 [0.020]</td></tr> <tr><td>4 PLC</td><td>± -</td></tr> <tr><td>ANGLES</td><td>± 5°</td></tr> </table>		0 PLC	± -	1 PLC	± -	2 PLC	± -	3 PLC	± 0.5 [0.020]	4 PLC	± -	ANGLES	± 5°	APPLICATION SPEC -	SIZE A3	CAGE CODE 00779
0 PLC	± -															
1 PLC	± -															
2 PLC	± -															
3 PLC	± 0.5 [0.020]															
4 PLC	± -															
ANGLES	± 5°															
MATERIAL 6,6 NYLON	FINISH COLOR - BLACK	WEIGHT -	DRAWING NO G-350087	RESTRICTED TO -												
CUSTOMER DRAWING			SCALE 4:1	SHEET 1 OF 1												
			REV F													