

See Signal Cable Connector

Printed board

2.5mm min

(40)

Shield Cover

Ground Spring

Contact Strip

Printed Board

MATERIAL:
 HEADER HOUSING.....LIQUID CRYSTAL POLYMER 30%
 GLASS FLAME RETARDANT ACC. UL 94-V0
 COVER.....ZINC ALLOY
 TERMINAL.....TINBRONZE
 FROUND SPRING.....STAILNLESS STEEL
 CONTACT STRIP.....STAILNLESS STEEL

NOTE:
 1. PCB THICKNESS.....1.4-2.4MM
 2. ROHS INFORMATIONS.....SEE SHEET 2.

PRODUCT SPECIFICATION: GS-12-307
 PACKAGE SPECIFICATION: EUR-14-010
 APPLICATION SPECIFICATION: GS-20-049

Performance Level	
72844-10XLF	Telcordia Co
72844-20XLF	Telcordia Co

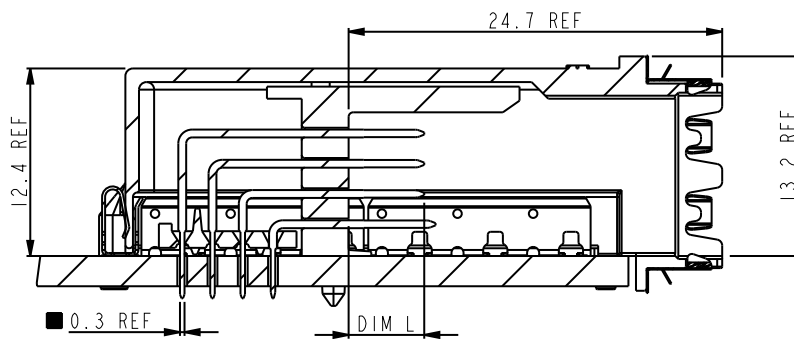
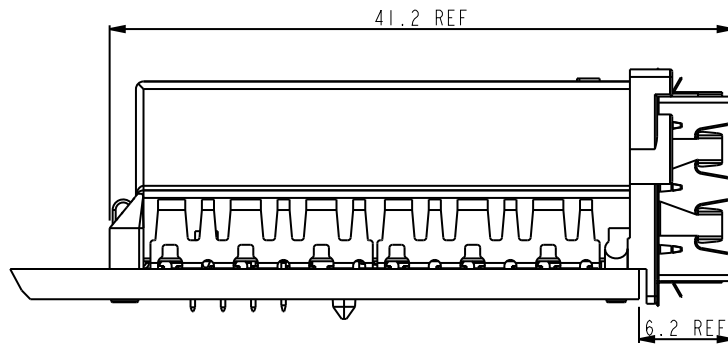
www.fciconnect.com			surface ISO 1302	<input checked="" type="checkbox"/>	tolerance std ISO 406 ISO 1101	projection mm	
			TOLERANCES UNLESS OTHERWISE SPECIFIED				
Dr	B.Beirinckx	2002/06/30	ANGULAR	0.X	±0.3	size A4	Scale 1.000
Eng	G.Nys	2002/06/30		LINEAR	0.XX		
Chr	W.Panis	2002/06/30	0° ±2°	0.XXX	±0.05	ECN	Change_This
Appr	W.Panis	2002/06/30	Product S6dmixl Shielded I/O		Spec ref		
			FCI title Change_This		dwg no 72844_C		Rev. W
			catalog no		sheet 1 of 2		

rev	ecn no	dr	date
V	LS07-0255	JTA	2007/11/12
W	N09-0372	SH	2009/11/09
-	-	-	-
-	-	-	-
-	-	-	-
-	-	-	-

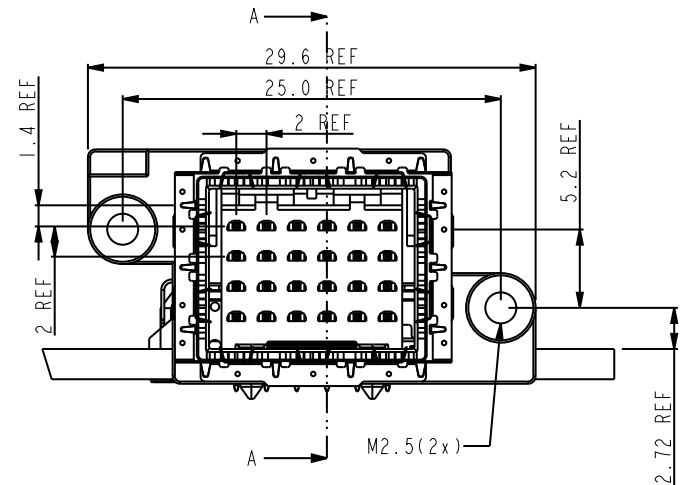


Copyright FCI.

REV F - 2006-04-17



SECTION A-A
SCALE 2.000



DESCRIPTION	PRODUCT NO.		
KIT	72844-X01LF	72844-X02LF	72844-X03LF
COVER WITH GROUND SPRING	1	1	1
CONTACT STRIP	5	5	5
HEADER	1		
HEADER		1	
HEADER			1

Dimension with oval around are critical dimensions including any attached geometrical tolerance. Other features or standard alone geometrical tolerances being critical have a note "CRITICAL FEATURE" below the item.
A symbol x (x: drawing current revision) will be next to any dimension, view or note which has been molded with the current drawing revision.

ROHS INFORMATION:

- This product meets European Union Directives and other country regulations as described in GS-22-008.
- The housing will withstand exposure to 260°C peak temperature for 5 second in a wave solder application with a 1.4 mm minimum thick circuit board. see application notes/procedures if they are available.
- Packaging spec: see GS-14-920

www.fciconnect.com		surface 0.8 ISO 1302	tolerance std ISO 406 ISO 1101	projection mm
		TOLERANCES UNLESS OTHERWISE SPECIFIED		
Dr	B.Beirinckx	2002/06/30	ANGULAR	size A4
Eng	G.Nys	2002/06/30	LINEAR	Scale 1.000
Chr	W.Panis	2002/06/30	0° ±2°	ECN LS07-0255
Appr	W.Panis	2002/06/30	Product family	Spec ref
		title SOFIX STB SHIELDED I/O Shielded RA Hdr 4x6 Pos		dwg no 72844_C Rev. W
catalog no				sheet 2 of 2